

Globally Approved Control Your Process Anytime



Tank Weighing

The capacity range from 7.5t to 22.5t allows the weighing of tanks and silos. The stainless steel design, hermetic sealing and IP68/IP69K protection provides the best reliability in tank and hopper weighing applications.



Load Cells

POWERCELL® load cells have a rocker-pin design that automatically aligns load forces for accurate weighing. These hermetically sealed load cells are rated IP68/IP69K and can be used in all environments.



PowerMount™ Weigh Module

The optional METTLER TOLEDO PowerMount™ weigh module allows one to convert an existing system into a precise weighing system. It is ideal for applications such as tanks scales, belt scales and conveyor scales. Available in zinc plated steel or stainless steel.



Predictive Maintenance

SLC611D monitors single load cells for overload, zero drift, foundation problems, etc.; prompting action before system shuts down or measures incorrectly.



SLC611D POWERCELL® Know What's Ahead

The SLC611D POWERCELL® is approved for use in various applications in Europe, Asia, America and almost everywhere else in the world. If an approval is required, the SLC611D POWERCELL® already complies.

Every SLC611D beam load cell features:

- µP controlled accuracy
- Robust output signal
- 10V/m EMC protection
- No junction box connections
- OIML C3 accuracy
- NTEP IIIM 5K accuracy
- Stainless steel
- IP68, IP69K protection class

SLC611D POWERCELL® Load Cell Specification

Parameter	Unit of measure	Specification			
Model No.		SLC611D POWERCELL® ⁵⁾			
Rated capacity (R.C.)	† (lb) nominal	7.5 (17000)	15 (33000)	22.5 (50000)	
Min. increment size, typical ⁶⁾	kg (lb)	0.15 (0.33)	0.3 (0.66)	0.45 (1)	
Zero load output	%R.C.	<0.5			
Combined error ¹⁾²⁾	%R.C.	C3/IIIM n:5: ≤ 0.018			
Repeatability error	%A.L. ³⁾	C3/IIIM n:5: ≤ 0.01			
Creep, 30 minute	%A.L.	C3/IIIM n:5: ≤ 0.017			
Min. dead load output retrun (DR), 30 min	%A.L.	C3/IIIM n:5: ≤ 0.017			
Temperature effect on	Min. dead load	0.0014 (0.0008)			
	Sensitivity ²⁾	C3/IIIM n:5: ≤ 0.001 (0.0006)			
Temperature range	Compensated	-10 to +40 (+14 to +104)			
	Operating	-40 to +55 (-40 to +131)			
	Safe storage	-40 to +80 (-40 to +176)			
OIML / European approval ⁴⁾	Number, OIML / Europe	R60/2000-CN1-15.03 / NMI TC8738			
	Class	C3			
	nmax	3000			
	Vmin	kg	0.83	1.67	2.5
	PLC	0.8			
	Humidity symbol	CH			
	Min. dead load	kg	50		
NTEP approval ⁴⁾	Z	3000			
	Barometric pressure effect	None			
	Number	15.046			
	Class	III M n:5			
ATEX approval ⁴⁾	nmax	5000			
	Vmin	lb	2.2	4.2	6.3
	Min. dead load	lb	110		
IECEx approval ⁴⁾	Cat. 2	II 2 G Ex ib IIB T4 Gb / II 2 D Ex ib IIIC T130 C Db / -40°C ≤ Ta ≤ +55°C			
	Cat. 3	II 3 G Ex ec IIC T6 Gc; II 3 G Ex nA IIC T6 Gc; II 3 D Ex tc IIIC T85°C Dc; Ta = -40°C to +55°C; Type, IP65 Ex ib IIB T4 Gb / Ex ib IIIC T130°C Db / -40°C ≤ Ta ≤ +55°C Ex ec IIC T6 Gc; Ta = -40°C to +55°C, IP65 / Ex nA IIC T6 Gc; Ta = -40°C to +55°C, IP65 / Ex tc IIIC T85°C, Ta = -40°C to +55°C, IP65			
Factory mutual approval ⁴⁾	Div 1 US	IS / I, II, III / 1 / CDEFG / T4 Ta = -40°C to 55°C; 1 / 1 / AEx ib / IIB / T4 Ta = -40°C to 55°C / Gb; 21 / AEx ib / IIIC / T130°C Ta = -40°C to 55°C / Db			
	Div 1 Canada	IS / I, II, III / 1 / CDEFG / T4 Ta = -40°C to 55°C; 1 / Ex ib / IIB / T4 Ta = -40°C to 55°C; Gb; 21 / Ex ib / IIIC / T130°C Ta = -40°C to 55°C; Db			
	Div 2 US	NI / I,II,III / 2 / CDFG/T6 Ta= -40°C to +55°C; Class I Zone 2 IIB, T6, Zone 22 IIIB T85°C Ta= 40°C to +55°C NI / I, II,III Division 2, Groups A, B, C, D, F G; T6 Ta = -40°C to +55°C; Class I, Zone 2, Group IIC, T6 Zone IIIB T85°C Ta = -40°C to +55°C			
	Div 2 Canada	NNI / I,II,III / 2 / CDFG/T6 Ta= -40°C to +55°C; NI / I,II,III / 2 / ABCDFG/T6 Ta= -40°C to +55°C			
Supply voltage non-regulated	Range (nominal)	V DC	7.5 ~ 25		
	Typical		12-24		
	Max.		200		
Supply current	Typical	mA	20		
	Overcurrent due to lightning: Max. tested on IEC62305-1	A	2500 (no direct flash)		
Warm-up time from cold start	minutes	5			
Communications	Type	Controller Area Network (CAN), encrypted			
	Protocol	Can Open			
Effective system update rate (4 load cells)	Hz	100			
ESD rating	kV	8			
Span stability, typical (peak to peak in 1 min)	Counts	15			
Immunity	OIML R60	10			
Material	Spring element	Stainless steel			
	Enclosure	304 Stainless steel, electropolished			
	Connectors	Stainless steel			
	Cable	Polyurethane (PU)			
Protection	Type	Welded			
	IP rating	IP68/IP69K			
	NEMA rating	NEMA 6/6P			
Load limit	Safe	%R.C.	200		
	Ultimate	%R.C.	300		
Safe dynamic load	%R.C.	70			
Fatigue life	cycles @ R.C.	> 1,000,000			
Direction of loading		Compression			
Restoring force ⁵⁾	A% L./mm (./in) ³⁾	2.4 (61)		3.4 (87)	
Max. horizontal travel ⁶⁾	mm (in)	8 (0.31)	7 (0.27)	5 (0.2)	
Deflection @ R.C., nominal	mm (in)	0.2 (0.008)	0.37 (0.015)	0.49 (0.019)	
Weight, nominal	kg (lb)	1.2 (2.6)			
Cable	Load cell cable ⁶⁾	Polyurethane, 30mm connector			
	Home-run cable ⁶⁾	Polyurethane, 6.2mm jacket			
Connectors		Quick-Connect			

¹⁾ Error due to the combined effect of non-linearity and hysteresis

²⁾ Typical values only. The sum of errors due to combined error and temperature effect on sensitivity comply with the requirements of OIML R60 and NIST HB44.

³⁾ A.L. = Applied Load

⁴⁾ See certificate for complete information.

⁵⁾ Max. 14 load cells / terminal

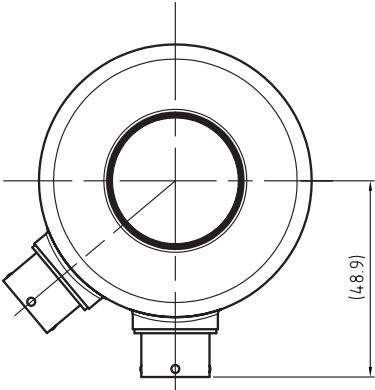
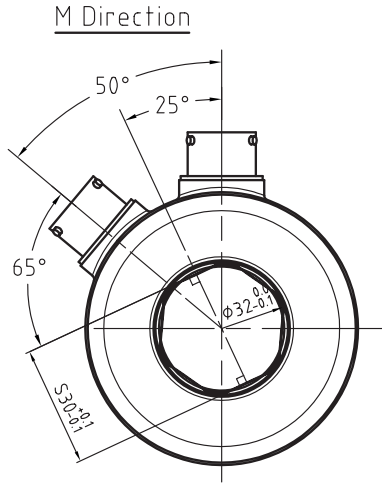
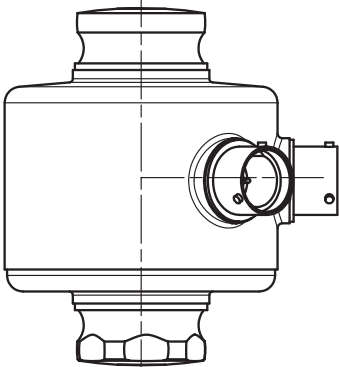
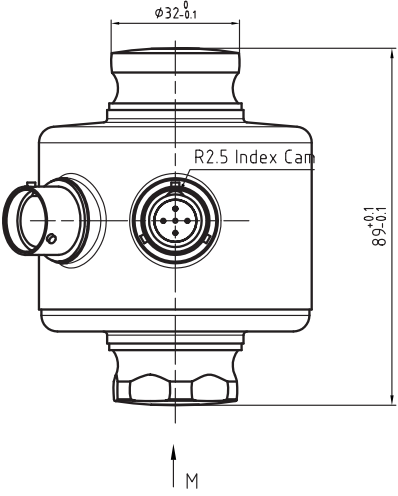
⁶⁾ Max. total cable length 90-300m depending on no. of LC and terminal.

⁷⁾ / Load cell

⁸⁾ Calculate the scale's minimum increment size by multiplying this value by the square root of the number of load cells. For non legal-for-trade applications



SLC611D POWERCELL® Dimensional Drawings mm [in]



SLC611D POWERCELL® Order Information

Rated capacity	Item No., load cell
	Class
	C3/III M n:5
7.5t	30092515
15t	30092516
22.5t	30092517

Bolded entries are stocked

SLC611D POWERCELL® Home Run Cable

Colour	Function
Yellow	Shield
Blue	CAN_L
White	CAN_H
Red	V+
Black	V-

SLC611D POWERCELL® Order Information, Cables

Description	Item No.							
	Cable, material / length							
	PU / 3m (10ft)	PU / 5m (16.4ft)	PU / 10m (32.8ft)	PU / 20m (65.6ft)	PU / 30m (98.4ft)	PU / 50m (164ft)	PU / 100m (333ft)	PU / 150m (500ft)
Cable kit, 3 load cells	30302750	30302751	30302752	30302753	-	-	-	-
Cable kit, 4 load cells	30302754	30302755	30302756	30302757	-	-	-	-
Load cell – load cell cable	30302766	30302767	30302768	30302769	-	-	-	-
Home Run Cable	-	30302758	30302759	30302760	30302761	30302762	30302763	30302764
Cable extension adapter	30220628							
CAN termination load cell	30302770							
Blind cap connector load cell	30302771							
Cable gland for home run cable with IND780PDX	30095639							

Bolded entries are stocked

Global Approvals

The SLC611D is provided with all listed approvals. No need to think about options and additional charges. Simplifies the conduct of global business, order processing and service-part stocking.



METTLER TOLEDO Service

Our extensive service network is among the best in the world and ensures maximum availability and service life of your product.

Weighing Electronics

METTLER TOLEDO offers a complete family of electronics from simple weighing to application solutions for filling, stock control, batching, formulation, counting, checkweighing.

www.mt.com

For more information

METTLER TOLEDO Group

Industrial Division

Local contact: www.mt.com/contacts

Subject to technical changes

© 09/2019 METTLER TOLEDO. All rights reserved

Document No. 30432053 A

MarCom Industrial

